

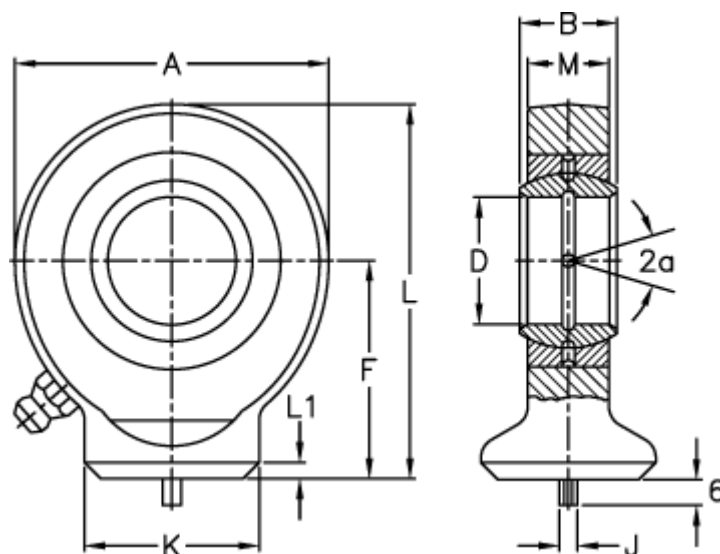
# Data Sheet



Article number: 03555040

Description: Fluro hydraulic rod end FS 40C

## Measures



A	= 92	L	= 115
a (degrees)	= 7	L1	= 5
B	= 28	M	= 23
D	= 40	Static load C0 (kN)	= 156
Dynamic load C (kN)	= 100	Weight	= 1400
F	= 69		
J	= 4		
K	= 52		